

WINNOX BURNERS

*Efficient and Simple,
Winnox Burners Meet
Tomorrow's Emissions
Mandates Today*

*Designed to comply with
the global emissions mandates
of the 21st century, Winnox
burners are also simple to set
up and operate.*

Ideal for air heating and oven applications, Winnox burners incorporate direct-spark ignition and an air/gas regulator to fire efficiently over a wide gas turndown range at a controlled ratio.

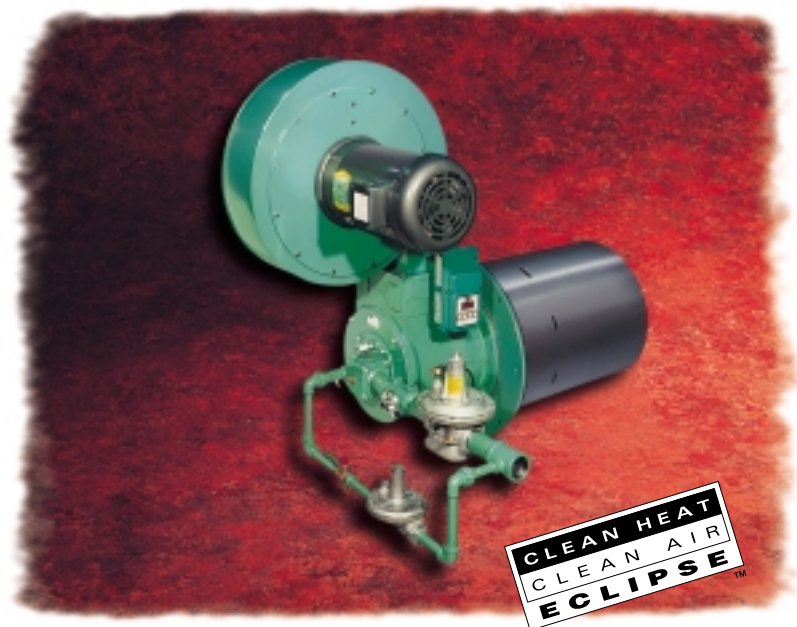
- Patented nozzle design allows for intense mixing of air and fuel resulting in extremely low emissions.
 - Ultra-low NO_x, less than 20ppm in most applications.
 - And...low CO. Literally no CO emissions during normal operation.
- Short flame completely contained within the firing tube due to intense swirl generated by patented nozzle.

Ready for the world

Winnox burners combine advanced engineering with installation and operational features that are truly world class.

- Multi-fuel capability (natural gas, propane, butane) with no nozzle change.
- Simple, accurate burner control due to integral butterfly valve and ratio-regulator design.

Low Emission Air Heating Burners



- Packaged convenience. Winnox burners are provided with blowers for ease of installation and at 50 Hz. or 60 Hz. for global application. They are also available with alloy tubes or a refractory combustor to meet the demands of any job.

- Modular design means a variety of options and configurations are available.

Consider the many user-preferred features of Winnox before investing in your next air heating burner.

Winnox Burners

Setting new standards for low emissions

Air Inlet Options –
Available with integral blower
(as shown) or without

Alloy Tube or
Refractory Block

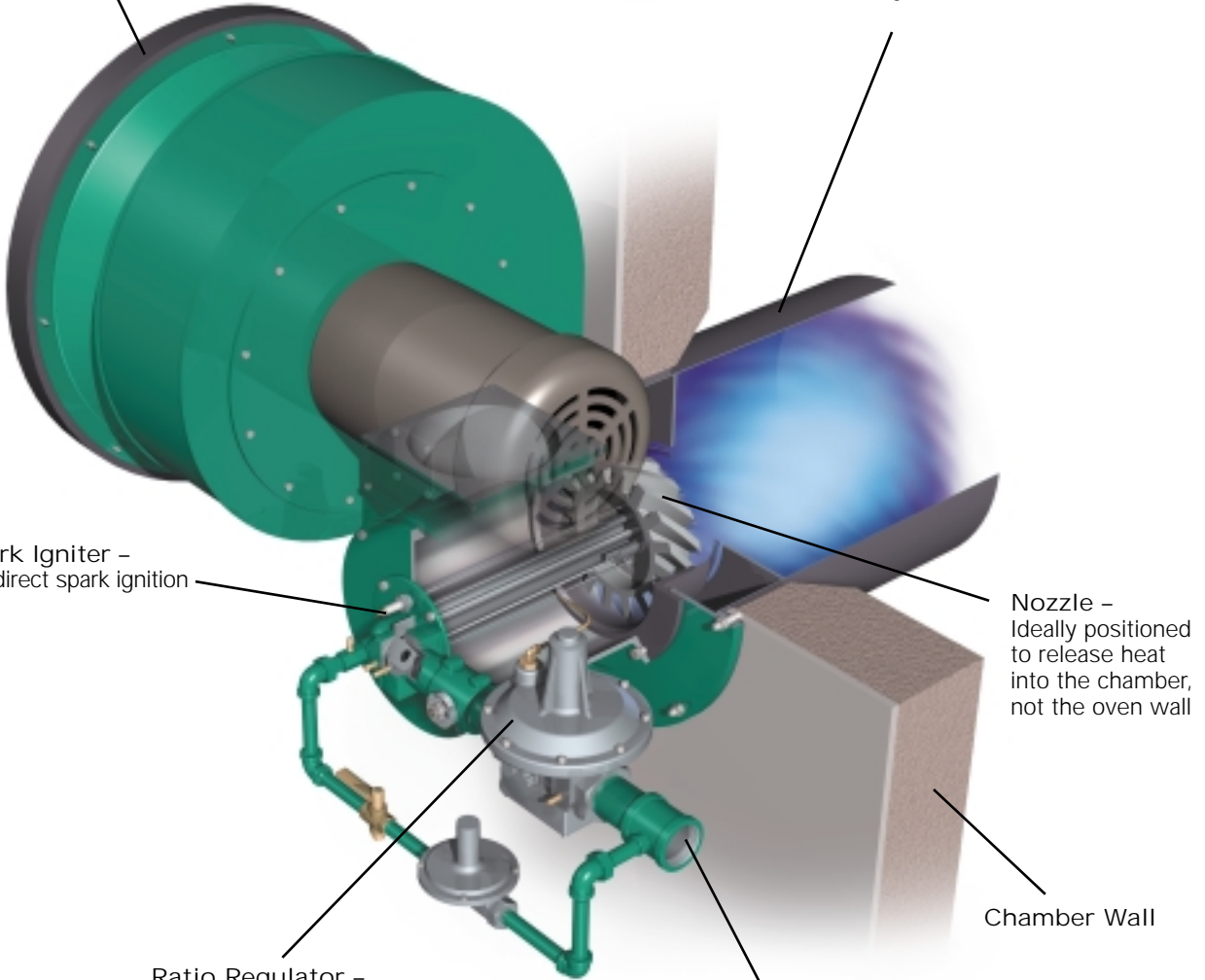
Spark Igniter –
For direct spark ignition

Nozzle –
Ideally positioned
to release heat
into the chamber,
not the oven wall

Ratio Regulator –
Automatically changes
gas flow in proportion to
combustion air pressure

NPT or BSP Gas Inlet

Chamber Wall



ECLIPSE™
Innovative Thermal Solutions

Eclipse Combustion
mISO 9001 Registered



Eclipse Combustion

Offered By:

Power Equipment Company
2011 Williamsburg Road
Richmond, VA 23231
Phone: 804-236-3800 Fax: 804-236-3882

www.peconet.com